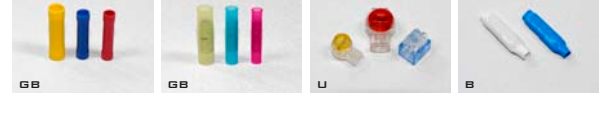


<b>GT</b>	Nylon Cable Ties	4
<b>GT</b>	Nylon Cable Ties - Color	5
<b>GS</b>	Screw-Mount Cable Ties	6
<b>GR</b>	Releasable Cable Ties	6
<b>GM</b>	Marker (Identification) Cable Ties	7
<b>GP</b>	Push-Mount Cable Ties	7
<b>GDL</b>	Double-Loop Cable Ties	8
<b>GBT</b>	Beaded Ties	8
<b>GMB</b>	Adhesive-Backed Mounting Bases	9
<b>GCM</b>	Cradle Mounts	9
<b>GCC</b>	Cable Clamps	10
<b>GTL</b>	Twist Locks	10
<b>GWN</b>	Twist-On Wire Connectors - Spring Loaded	12
<b>GWN</b>	Twist-On Wire Connectors - Winged	13
<b>GEC</b>	Twist-On Wire Connectors - Easy-Cap	14
<b>GAP</b>	Twist-On Wire Connectors - All Plastic	14
<b>GCE</b>	Close-End Crimp Connectors	14
<b>GPC</b>	Push-in Wire Connectors	15
<b>GTB</b>	Terminal Blocks	15
<b>GR</b>	Rings - Vinyl	16
<b>GR</b>	Rings - Nylon	17
<b>GS</b>	Block Spades (non-flanged) - Vinyl	18
<b>GS</b>	Block Spades (non-flanged) - Nylon	19
<b>GS1</b>	Snap Spades (locking)	20
<b>GS2</b>	Block Spades (flanged)	20
<b>GH</b>	Hooks	21
<b>GQS</b>	Quick-Splice Disconnectors	21
<b>GQF</b>	Quick-Slides - Female	22
<b>GQM</b>	Quick-Slides - Male	22
<b>GFQF</b>	Fully Insulated Quick-Slides - Female	23
<b>GFQM</b>	Fully Insulated Quick-Slides - Male	23
<b>GPB</b>	Piggy-Backs	24
<b>GFF</b>	Flags	24
<b>GBF</b>	Bullets - Female	25
<b>GBM</b>	Bullets - Male	25
<b>GB</b>	Butt Splice Connectors - Vinyl	26
<b>GB</b>	Butt Splice Connectors - Nylon	26
<b>U</b>	Telecom Connectors - U Series	27
<b>B</b>	Telecom Connectors - B Series	27
<b>PTFE</b>	Teflon Tape	27
<b>GTG</b>	Cable Tie Fastening Tools	5
<b>GWS</b>	Power Tool Sockets (for GWN series)	12, 13
<b>GCT</b>	Crimping Tools	19
<b>GMST</b>	Crimping Tools (for U Series)	19



# GREENLITE CABLE TIES & ACCESSORIES

---



## **NYLON CABLE TIES**

- Miniature (18 lbs)
- Intermediate (40 lbs)
- Standard (50 lbs)
- Light Heavy Duty (120 lbs)
- Heavy Duty (175 lbs)

## **COLOR CABLE TIES**

## **SCREW-MOUNT CABLE TIES**

## **RELEASABLE CABLE TIES**

## **MARKER (ID) CABLE TIES**

## **PUSH-MOUNT CABLE TIES**

## **DOUBLE-LOOP CABLE TIES**

## **BEADED TIES**

## **CABLE TIE MOUNTS**

- 4-Way Adhesive-Backs
- Cradle Mounts
- Cable Clamps

## **TWIST-LOCKS**

## **FASTENING TOOLS**

**RoHS**  
COMPLIANT





- UL Recognized
- Meets Military Specification
- Manufactured from 100% virgin-grade Nylon 6/6
- Self-extinguishing 94V-2
- Operating temperature range of -40°F (-4°C) to 185°F (85°C)
- Available in natural (code -9) or UV resistant black (code -0)



PART NUMBER	LENGTH <i>Inches (mm)</i>	WIDTH <i>Inches (mm)</i>	MAX BUNDLE DIAMETER <i>Inches (mm)</i>	MIN LOOP TENSILE STRENGTH	MIL SPEC	PACKAGING		
						STD.	BULK	
<b>GT-18S1</b>	3 1/8" (80)	0.10" (2.5)	5/8" (15)	<i>MINIATURE</i>  18 lbs (8.1 kg)	MS3367-4	100	1000	
<b>GT-18S3</b>	4" (100)	0.10" (2.5)	7/8" (22)			100	1000	
<b>GT-18M1</b>	5 1/2" (140)	0.10" (2.5)	1 3/8" (33)			100	1000	
<b>GT-18M2</b>	6 3/8" (160)	0.10" (2.5)	1 9/16" (40)			100	1000	
<b>GT-18L</b>	8" (200)	0.10" (2.5)	2" (53)			100	1000	
<b>GT-40S</b>	5 7/8" (150)	0.14" (3.6)	1 3/8" (35)	<i>INTERMEDIATE</i>  40 lbs (18.2 kg)	MS3367-5	100	1000	
<b>GT-40M</b>	8" (200)	0.14" (3.6)	2" (53)			100	1000	
<b>GT-40L</b>	11 1/2" (300)	0.14" (3.6)	3" (76)			100	1000	
<b>GT-40L2</b>	14 1/2" (370)	0.14" (3.6)	4" (102)			100	1000	
<b>GT-50S1</b>	6 3/8" (160)	0.19" (4.8)	1 1/2" (38)	<i>STANDARD</i>  50 lbs (23.0 kg)	MS3367-1	100	1000	
<b>GT-50S2</b>	7 3/8" (188)	0.19" (4.8)	1 4/5" (46)			100	1000	
<b>GT-50M</b>	11 1/2" (300)	0.19" (4.8)	3" (76)			MS3367-7	100	1000
<b>GT-50L1</b>	14 1/2" (370)	0.19" (4.8)	4" (102)			MS3367-2	100	500
<b>GT-50L2</b>	17" (430)	0.19" (4.8)	4 9/16" (110)			100	500	
<b>GT-120S</b>	8" (200)	0.30" (7.6)	1 15/16" (50)	<i>LIGHT HEAVY DUTY</i>  120 lbs (54.4 kg)	MS3367-3	100	100	
<b>GT-120M</b>	14 1/2" (368)	0.30" (7.6)	4" (102)			100	100	
<b>GT-120M1</b>	17 3/4" (450)	0.30" (7.6)	5 1/5" (132)			100	100	
<b>GT-175S</b>	20 3/4" (528)	0.35" (9.0)	5 1/2" (140)	<i>HEAVY DUTY</i>  175 lbs (79.4 kg)		100	100	
<b>GT-175M</b>	24" (609)	0.35" (9.0)	7" (178)			100	100	
<b>GT-175L1</b>	28" (710)	0.35" (9.0)	7 1/2" (190)			100	100	
<b>GT-175L2</b>	32" (812)	0.35" (9.0)	9 7/16" (239)			100	100	
<b>GT-175L3</b>	36" (912)	0.35" (9.0)	10 1/3" (263)			100	100	
<b>GT-175L4</b>	42" (1070)	0.35" (9.0)	12 3/5" (320)			100	100	
<b>GT-175L5</b>	48" (1220)	0.35" (9.0)	14 3/8" (365)	100	100			

## NYLON CABLE TIES

GT | COLOR SERIES

The following GT nylon cable ties are available in the following colors:  
(color codes in parentheses)

- Red (-2)
- Orange (-3)
- Yellow (-4)
- Green (-5)
- Blue (-6)
- Gray (-8)
- Fluorescent Pink (-FP)
- Fluorescent Orange (-FO)
- Fluorescent Yellow (-FY)



PART NUMBER	LENGTH <i>Inches (mm)</i>	WIDTH <i>Inches (mm)</i>	MAX BUNDLE DIAMETER <i>Inches (mm)</i>	MINIMUM LOOP TENSILE STRENGTH	PACKAGING	
					STD.	BULK
GT-18S3	4" (100)	0.10" (2.5)	7/8" (22)	18 lbs (8.1 kg)	100	1000
GT-50S2	7 3/8" (188)	0.19" (4.8)	1 4/5" (46)	50 lbs (22.2 kg)	100	1000
GT-50L1	14 1/2" (370)	0.19" (4.8)	4" (102)	50 lbs (22.2 kg)	100	500

## CABLE TIE FASTENING TOOLS

GTG | SERIES



### GTG-702 | FASTENING GUN

An efficient hand tool for fastening cable ties. Tighten and cut off excessive length in a single, simple action. Finely adjustable tension control ensures accuracy for different tensile strengths. The GTG-702 is designed for nylon cable ties up to 50 lbs (0.19" widths).

### GTG-HT519 | FASTENING GUN

Designed for heavy-duty ties of 120+lb (0.30" widths or greater) tensile strength. Constructed of 100% metal, this durable hand tool will tighten and cut off excessive length. Use the GTG-HT519 to guarantee that your heavy-duty ties are securely fastened.

### CABLE TIE WIDTH CHART

0.10" (18 lb)
0.14" (40 lb)
0.19" (50 lb)
0.30" (120 lb)
0.35" (175 lb)

## SCREW-MOUNT CABLE TIES

GS | SERIES



- UL Recognized
- Meets Military Specification
- Integrated screw hole head for mounting and securing
- Manufactured from 100% virgin-grade Nylon 6/6
- Self-extinguishing 94V-2
- Operating temperature range of -40°F (-4°C) to 185°F (85°C)
- Available in natural (code -9) or UV resistant black (code -0)



PART NUMBER	LENGTH <i>Inches (mm)</i>	WIDTH <i>Inches (mm)</i>	MAX BUNDLE DIAMETER <i>Inches (mm)</i>	MIN LOOP TENSILE STRENGTH	SCREW SIZE	PACKAGING	
						STD.	BULK
<b>GS-18</b>	4 3/8" (110)	0.10" (2.5)	3/4" (18)	18 lbs (8 kg)	#4	100	1000
<b>GS-40</b>	6" (156)	0.14" (3.6)	1 3/8" (35)	40 lbs (18 kg)	#8	100	1000
<b>GS-50S</b>	8" (205)	0.19" (4.8)	2" (54)	50 lbs (23 kg)	#10	100	1000
<b>GS-50M</b>	12 1/2" (300)	0.19" (4.8)	3" (79)		#10	100	1000
<b>GS-50L</b>	14 1/2" (370)	0.19" (4.8)	4" (102)		#10	100	100
<b>GS-120</b>	15" (380)	0.30" (7.6)	4 1/8" (104)	120 lbs (54 kg)	#10	100	100

## RELEASABLE CABLE TIES

GR | SERIES



- UL Recognized
- Reusable design
- Simply press the tab at the head to release the lock
- Manufactured from 100% virgin-grade Nylon 6/6
- Self-extinguishing 94V-2
- Operating temperature range of -40°F (-4°C) to 185°F (85°C)
- Available in natural (code -9) or UV resistant black (code -0)

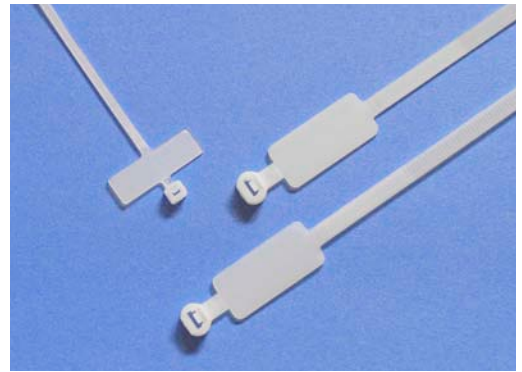


PART NUMBER	LENGTH <i>Inches (mm)</i>	WIDTH <i>Inches (mm)</i>	MAX BUNDLE DIAMETER <i>Inches (mm)</i>	MIN LOOP TENSILE STRENGTH	PACKAGING	
					STD.	BULK
<b>GR-75S</b>	7 7/8" (200)	0.30" (7.6)	2" (50)	50 lbs (23 kg)	100	100
<b>GR-75M</b>	11 3/4" (300)	0.30" (7.6)	3" (80)		100	100

## MARKER (IDENTIFICATION) CABLE TIES

GM | SERIES

- UL Recognized
- Integrated marking pads
- Manufactured from 100% virgin-grade Nylon 6/6
- Self-extinguishing 94V-2
- Operating temperature range of -40°F (-4°C) to 185°F (85°C)



PART NUMBER	LENGTH <i>Inches (mm)</i>	WIDTH <i>Inches (mm)</i>	MAX BUNDLE DIAMETER <i>Inches (mm)</i>	MIN LOOP TENSILE STRENGTH	MARKING PAD SIZE <i>L X W (inches)</i>	PACKAGING	
						STD.	BULK
<b>GM-18</b>	3 7/8" (205)	0.10" (2.5)	3/4" (20)	18 lbs (8 kg)	0.3" x 1"	100	1000
<b>GM-50S</b>	8 5/8" (220)	0.19" (4.8)	1 5/8" (43)	50 lbs (23 kg)	1.1" x 0.5"	100	1000
<b>GM-50M</b>	11 3/4" (300)	0.19" (4.8)	2 3/4" (70)		1.1" x 0.5"	100	100
<b>GM-50L</b>	14 1/2" (370)	0.19" (4.8)	3 1/2" (88)		1.1" x 0.5"	100	100

## PUSH-MOUNT CABLE TIES

GP | SERIES



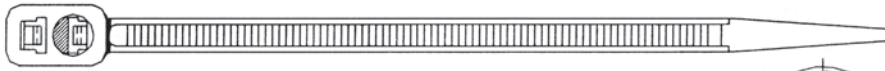
- UL Recognized
- Designed to mount in panel holes
- Two mount head designs available
- Manufactured from 100% virgin-grade Nylon 6/6
- Self-extinguishing 94V-2
- Operating temperature range of -40°F (-4°C) to 185°F (85°C)



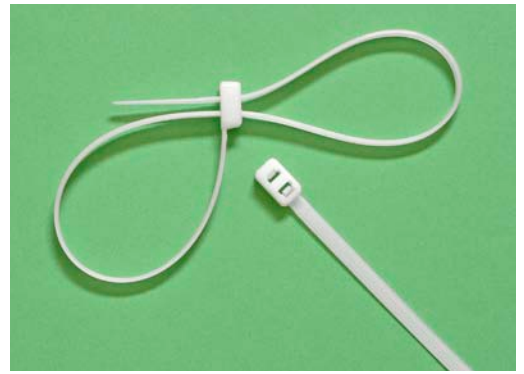
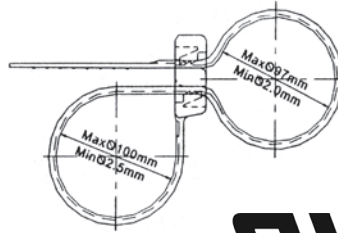
PART NUMBER	LENGTH <i>Inches (mm)</i>	WIDTH <i>Inches (mm)</i>	MAX BUNDLE DIAMETER <i>Inches (mm)</i>	HOLE DIAMETER <i>Inches (mm)</i>	PANEL THICKNESS <i>Inches (mm)</i>	MIN LOOP TENSILE STRENGTH	PACKAGING	
							STD.	BULK
<b>GP-50</b>	7 5/8 (195)	0.19" (4.8)	1.77" (45)	0.252 (6.4)	0.126" (3.2)	50 lbs (23 kg)	100	100
<b>GP-50A</b>	7 7/8 (200)	0.19" (4.8)	1.81" (46)	0.248 (6.3)	0.141" (3.6)		100	100

## DOUBLE LOOP CABLE TIES

GDL | SERIES



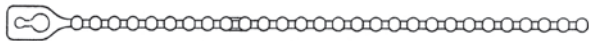
- UL Recognized
- Designed to tie two cable bundles together
- Manufactured from 100% virgin-grade Nylon 6/6
- Self-extinguishing 94V-2
- Natural operating temperature range of -40°F (-4°C) to 185°F (85°C)



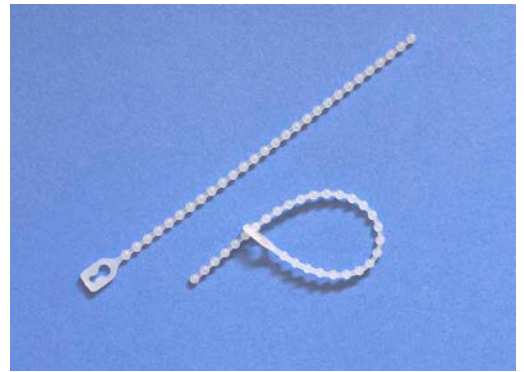
PART NUMBER	LENGTH <i>Inches (mm)</i>	WIDTH <i>Inches (mm)</i>	MAX BUNDLE DIAMETERS <i>Inches (mm)</i>	MIN LOOP TENSILE STRENGTH	PACKAGING	
					STD.	BULK
<b>GDL-50S</b>	7 7/8" (200)	0.19" (4.8)	1.85" (47) + 1.77" (45)	50 lbs (23 kg)	100	100
<b>GDL-50M</b>	11 4/5" (300)	0.19" (4.8)	2.83" (72) + 2.76" (70)		100	100
<b>GDL-50L</b>	14 1/2" (370)	0.19" (4.8)	3.94" (100) + 3.82" (97)		100	100

## BEADED TIES

GBT | SERIES



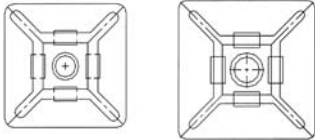
- UL Recognized
- Quickly secure and release bundles
- Manufactured from 100% virgin-grade Nylon 6/6
- Self-extinguishing 94V-2
- Operating temperature range of -40°F (-4°C) to 185°F (85°C)



PART NUMBER	LENGTH <i>Inches (mm)</i>	MAX BUNDLE DIAMETER <i>Inches (mm)</i>	MIN LOOP TENSILE STRENGTH	PACKAGING	
				STD.	BULK
<b>GBT-100</b>	4 1/5" (105)	1 1/8" (29)	8.8 lbs (4 kg)	100	1000

## ADHESIVE-BACKED MOUNTING BASES

GMB | SERIES



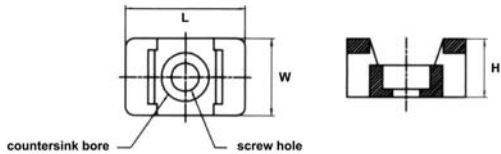
- For attaching bundles to flat surfaces via adhesive backing
- Four way tie insertion, allowing for ties to be easily mounted from any of the four sides
- Integrated centered screw mount hole for optional screw mounting
- Manufactured from 100% virgin-grade Nylon 6/6
- Complete stock in natural (code -9) or UV resistant black (code -0)



PART NUMBER	MOUNTING TYPE	DIMENSIONS <i>L X W X H</i> <i>Inches (mm)</i>	Cable Ties Accepted (Width) <i>Inches (mm)</i>	PACKAGING	
				STD.	BULK
GMB-4A	4 way adhesive & #4 screw	0.75" x 0.75" x 0.21" (19 x 19 x 5.3)	up to 0.14" (3.6)	100	1000
GMB-4AS	4 way adhesive & #10 screw	1.1" x 1.1" x 0.28" (19 x 19 x 5.3)	Up to 0.19" (4.8)	100	500

## CRADLE MOUNTS

GCM | SERIES



- Low-profile cradle design with thick and strong support arms
- Integrated screw hole for secure screw mounting
- Manufactured from 100% virgin-grade Nylon 6/6
- Self-extinguishing 94V-2
- Natural operating temperature range of -40°F (-4°C) to 185°F (85°C)

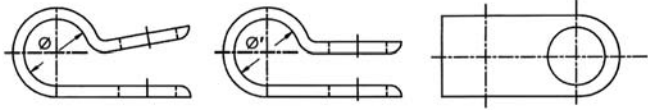


PART NUMBER	MOUNTING TYPE	DIMENSIONS <i>L X W X H</i> <i>Inches (mm)</i>	Cable Ties Accepted (Width) <i>Inches (mm)</i>	PACKAGING	
				STD.	BULK
GCM-S	#6 screw (0.276" countersink bore)	0.587 x 0.374 x 0.283 (14.9 x 9.5 x 7.2)	up to 0.19 (4.8)	100	1000
GCM-L	#10 screw (0.378" countersink bore)	0.862 x 0.634 x 0.382 (21.9 x 16.1 x 9.7)	Up to 0.35" (9.0)	100	500



## CABLE CLAMPS

**GCC** | SERIES



- Insert cables in and clamp down with a screw
- Screw-mounts to any hard surface
- Open design for easy cable entry
- Manufactured from 100% virgin-grade Nylon 6/6
- Self-extinguishing 94V-2
- Operating temperature range of -40°F (-4°C) to 185°F (85°C)
- Available in natural (code -9) or UV resistant black (code -0)

PART NUMBER	MAX BUNDLE DIAMETER <i>Inches (mm)</i>	LENGTH <i>Inches (mm)</i>	WIDTH <i>Inches (mm)</i>	THICKNESS <i>Inches (mm)</i>	SCREW SIZE	PACKAGING	
						STD.	BULK
<b>GCC-18</b>	1/8" (3.2)	0.63" (16.0)	0.36" (9.1)	0.059" (1.5)	#10	100	1000
<b>GCC-316</b>	3/16" (4.8)	0.73" (18.5)	0.36" (9.1)		#10	100	1000
<b>GCC-14</b>	1/4" (6.4)	0.77" (19.6)	0.36" (9.1)		#10	100	1000
<b>GCC-516</b>	5/16" (8.0)	0.83" (21.1)	0.36" (9.1)		#10	100	1000
<b>GCC-38</b>	3/8" (9.5)	0.88" (22.6)	0.36" (9.2)		#10	100	1000
<b>GCC-12</b>	1/2" (12.7)	1.12" (28.5)	0.50" (12.7)		#10	100	1000
<b>GCC-916</b>	9/16" (14.3)	1.20" (30.5)	0.50" (12.7)		#10	100	1000
<b>GCC-34</b>	3/4" (19.1)	1.43" (36.3)	0.50" (12.7)		#10	100	1000
<b>GCC-118</b>	1 1/8" (28.6)	1.83" (46.5)	0.50" (12.7)		#10	100	1000

## TWIST LOCKS

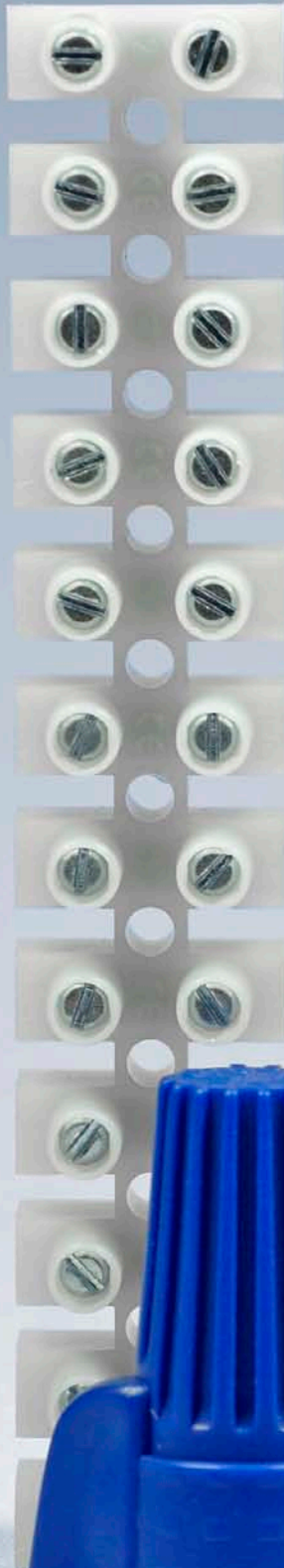
**GTL** | SERIES



- "Purse-lock" style clamp for extremely fast bundling and unbundling
- Excellent for cable organization
- Manufactured from 100% virgin-grade Nylon 6/6
- Self-extinguishing 94V-2
- Operating temperature range of -40°F (-4°C) to 185°F (85°C)

PART NUMBER	MAX BUNDLE DIAMETER <i>Inches (mm)</i>	LENGTH <i>Inches (mm)</i>	COLOR	PACKAGING	
				STD.	BULK
<b>GTL-E</b>	0.18" (4.5)	0.83" (21.0)	Natural	100	1000
<b>GTL-G</b>	0.41" (10.5)	1.22" (30.9)	Natural	100	1000
<b>GTL-H</b>	0.55" (14.0)	1.38" (35.1)	Natural	100	1000
<b>GTL-K</b>	0.87" (22.0)	1.79" (45.5)	Natural	100	1000

# GREENLITE TERMINALS & CONNECTORS



## TWIST-ON WIRE CONNECTORS

- Spring-loaded Connectors
- Winged Connectors
- Easy-Cap Connectors
- All-Plastic Connectors

## PUSH-IN WIRE CONNECTORS

### TERMINAL BLOCKS

### CRIMP TERMINALS

- Ring Terminals
- Spade (Fork) Terminals
- Snap Spade Terminals
- Flanged Block Spade Terminals
- Hook Terminals
- Quick-Splice Disconnectors
- Quick-Slide Terminals
- Fully Insulated Quick-Slides
- Piggy-Back Terminals
- Fully Insulated Flag Terminals
- Bullet Terminals

### CRIMP CONNECTORS

- Close End (Bell) Connectors
- Butt Splice Connectors
- Telecom Connectors

### CRIMPING TOOLS

### TEFLON TAPE



RoHS  
COMPLIANT



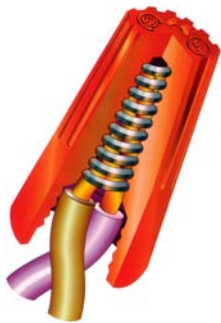
E188715



**TWIST-ON WIRE CONNECTORS**

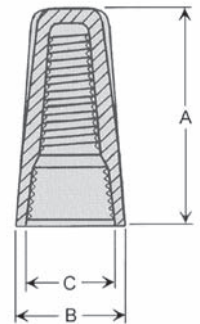
**GWN**

**SPRING-LOADED SERIES**



**GWN Spring-Loaded Twist-On Wire Connectors features:**

- UL Listed, CSA Approved components
- Flame retardant thermoplastic insulation shell
- Fixed internal wire spring secures connection with optimum conductivity
- Anti-slip gripping ribs for improved twisting efficiency and comfort
- Deep skirt, offering superior protection against shorts and flashovers
- Threaded funnel entry smoothly guides wires into the connector



PART NUMBER	COLOR	A (in/mm)	B (in/mm)	C (in/mm)	A.W.G.	VOLTAGE	TEMP (°C/°F)	PACKAGING	
								STD. <sup>†</sup>	BULK
<b>GWN-G</b>	Grey	0.598 15.2	0.339 8.6	0.264 6.7	22-14	300V	105 / 221	100	1000
<b>GWN-HTG</b>	Black (Hi Temp)	0.598 15.2	0.339 8.6	0.264 6.7	22-14	300V	150 / 302	100	1000
<b>GWN-B</b>	Blue	0.693 17.6	0.386 9.8	0.276 7.0	22-14	300V	105 / 221	100	1000
<b>GWN-O</b>	Orange	0.862 21.9	0.480 12.2	0.390 9.9	22-14	600V*	105 / 221	100	1000
<b>GWN-O-F</b>	Orange (full barrel)	0.866 22.0	0.480 12.2	0.390 9.9	22-14	600V*	105 / 221	100	1000
<b>GWN-HTO</b>	Black (Hi Temp)	0.866 22.0	0.480 12.2	0.390 9.9	22-14	300V	150 / 302	100	1000
<b>GWN-Y</b>	Yellow	0.937 23.8	0.551 14.0	0.441 11.2	22-10	600V*	105 / 221	100	500
<b>GWN-R</b>	Red	1.047 26.6	0.630 16.0	0.504 12.8	22-8	600V*	105 / 221	100	500

\* Square cross-sectional wire spring. Rated 1,000V maximum in lighting fixtures and signs.

<sup>†</sup> Retail boxes are available for a nominal surcharge.



**GWS**

**POWER TOOL SOCKETS**

Our GWS twist-on wire connector sockets attach to any standard 1/4" hexbits (like those on conventional power tools), allowing for quick and secure twist-on fastening.

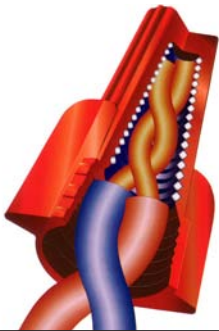
The **GWS-1** is designed to accommodate the following Greenlite GWN series connectors: G, B, O, and HTG

The **GWS-2** is designed to accommodate the following Greenlite GWN series connectors: O-F, Y, R, and HTO



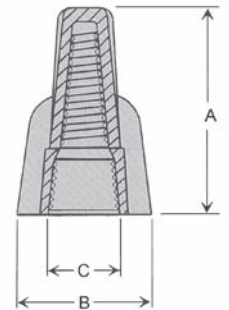
**TWIST-ON WIRE CONNECTORS**

**GWN | WINGED SERIES**



**GWN Winged Twist-On Wire Connectors features:**

- UL Listed, CSA Approved components
- Flame retardant thermoplastic insulation shell
- Fixed internal wire spring secures connection with optimum conductivity
- Anti-slip winged grips for better twisting efficiency and comfort
- Deep skirt, offering superior protection against shorts and flashovers
- Threaded funnel entry smoothly guides wires into the connector



PART NUMBER	COLOR	A (in/mm)	B (in/mm)	C (in/mm)	A.W.G.	VOLTAGE	TEMP (°C / °F)	PACKAGING	
								STD. <sup>†</sup>	BULK
<b>GWN-11</b>	<b>Yellow</b>	1.016 25.8	0.717 18.2	0.386 9.8	18-10	600V UL* 300V CSA	105 / 221	100	500
<b>GWN-12</b>	<b>Tan</b>	1.142 29.0	0.720 18.3	0.457 11.6	22-8	600V UL* 300V CSA	105 / 221	100	500
<b>GWN-13</b>	<b>Red</b>	1.252 31.8	0.906 23.0	0.531 13.5	18-8	600V UL* 300V CSA	105 / 221	100	500
<b>GWN-15</b>	<b>Grey</b>	1.311 33.3	1.000 25.5	0.587 14.9	18-8	600V	105 / 221	100	250
<b>GWN-17</b>	<b>Blue</b>	1.575 40.0	1.260 32.0	0.740 18.8	14-6	600V	105 / 221	100	100
<b>GWN-99</b>	<b>Green</b>	1.134 28.8	0.795 20.2	0.476 12.1	14-10	GROUNDING CONNECTOR <i>with built-in through-port</i>		100	500

\* Square cross-sectional wire spring. Rated 1,000V maximum in lighting fixtures and signs.

<sup>†</sup> Retail boxes are available for a nominal surcharge



**GWS | POWER TOOL SOCKETS**

Our GWS twist-on wire connector sockets attach to any standard 1/4" hexbits (like those on conventional power tools), allowing for quick and secure twist-on fastening.

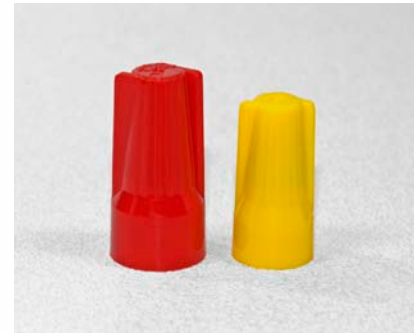
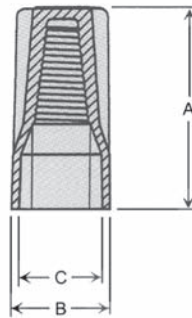
The **GWS-3** is designed to accommodate the following Greenlite GWN series connectors: 11, 12, 13, 15, and 99

## TWIST-ON WIRE CONNECTORS

**GEC** | EASY-CAP SERIES

### GEC Easy-Cap Twist-On Wire Connectors features:

- UL Listed, CSA Approved components
- Fixed internal wire spring secures connection with optimum conductivity
- UL 94-V2 Flame retardant thermoplastic insulation shell
- Full length "easy" winged design provides firm and comfortable twisting
- Deep skirt for superior protection against shorts and flashovers



PART NUMBER	COLOR	A (in/mm)	B (in/mm)	C (in/mm)	A.W.G.	VOLTAGE	TEMP (°C/°F)	PACKAGING	
								STD.	BULK
GEC-N1	Yellow	0.992 25.2	0.492 12.5	0.429 10.9	22-10	600V*	105 / 221	100	500
GEC-N2	Red	1.161 29.5	0.583 14.8	0.520 13.2	22-6	600V*	105 / 221	100	500

\* Rated 1,000V maximum in lighting fixtures and signs

## TWIST-ON WIRE CONNECTORS

**GAP** | ALL PLASTIC SERIES

PART NUMBER	COLOR	A (in/mm)	B (in/mm)	C (in/mm)	A.W.G.	VOLTAGE	TEMP (°C/°F)	PACKAGING	
								STD.	BULK
GAP-1	Yellow	0.563 14.3	0.339 8.6	0.256 6.5	22-16	300V	105 / 221	100	1000
GAP-2	Ivory	0.677 17.2	0.394 10.00	0.311 7.9	22-16	300V	105 / 221	100	1000
GAP-3	Ivory	0.874 22.2	0.437 11.1	0.358 9.1	22-14	600V	105 / 221	100	1000



## CLOSE-END CRIMP CONNECTORS

**GCE** | SERIES

PART NUMBER	A.W.G.	VOLTAGE	TEMP (°C/°F)	LENGTH (A) (in/mm)	BOTTOM (B) DIAMETER (in/mm)	BARREL (C) DIAMETER (in/mm)	PACKAGING	
							STD.	BULK
GCE-1	22-18	300V	105 (221)	0.709 18.0	0.307 7.8	0.102 2.6	100	1000
GCE-2	22-14	300V		0.776 19.7	0.374 9.5	0.118 3.0	100	1000
GCE-5	22-10	300V		1.004 25.5	0.492 12.5	0.157 4.0	100	1000
GCE-8	16-10	300V 600V CSA		1.091 27.7	0.575 14.6	0.209 5.3	100	500

**GREENLITE**

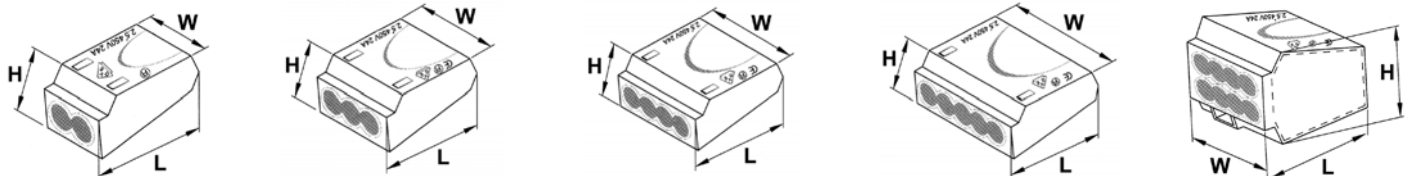
# PUSH-IN WIRE CONNECTORS

GPC SERIES

## GPC Push-In Wire Connectors features:



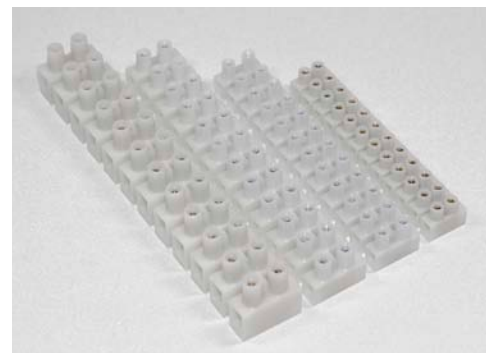
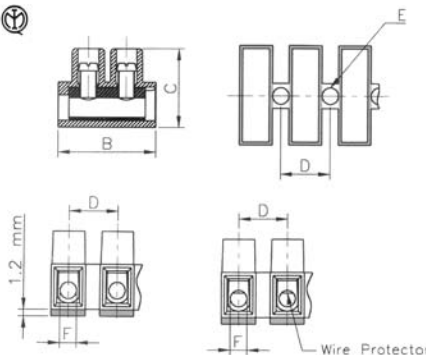
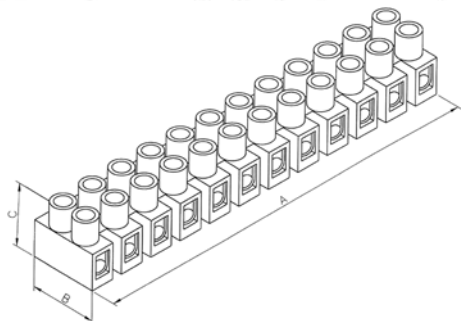
- UL Listed
- Simply insert wires into the poles for a quick and secure wire connection; No twisting or crimping.
- Compact flame-retardant thermoplastic insulation shell
- 30A, 110 °C (230 °F), 600V (1000V in fixtures and signs)
- Rear mounted test ports to test current continuity
- Highly conductive, tin-plated internal copper bus
- Clear side panel for easy inspection



PART NUMBER	COLOR	NUMBER of POLLS	ACCEPTED WIRE RANGE	DIMENSIONS L x W x H (in/mm)	POLE DIAMETER (in/mm)	PACKAGING	
						STD.	BULK
GPC-252	Red	2	22-12 AWG Solid or tinned stranded	0.77 x 0.41 x 0.37 19.5 x 10.5 x 9.5	0.1 (2.5)	100	500
GPC-253	Orange	3	22-12 AWG Solid or tinned stranded	0.78 x 0.53 x .037 19.7 x 13.5 x 9.5		100	500
GPC-254	Yellow	4	22-12 AWG Solid or tinned stranded	0.78 x 0.68 x 0.374 19.7 x 17.2 x 9.5		100	500
GPC-255	Gray	5	22-12 AWG Solid or tinned stranded	0.78 x 0.83 x 0.37 19.7 x 21.1 x 9.5		100	500
GPC-258	Black	8	22-12 AWG Solid or tinned stranded	0.78 x 0.69 x 0.66 19.7 x 17.5 x 16.8		100	250

# TERMINAL BLOCKS

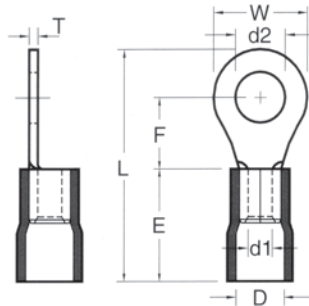
GTB SERIES



PART NUMBER	A.W.G.	AMP	VOLT.	SCREW SIZE	DIMENSIONS (in/mm)					
					A	B	C	D	E	F
GTB-8	22-12	20A	600V	M2.6 x 5	3.74	0.67	0.57	0.32	0.11	0.11
					96.2	17.0	14.5	8.0	2.9	2.9
GTB-10	22-10	30A	600V	M3.0 x 6	4.63	0.80	0.67	0.39	0.14	0.13
					117.0	20.2	17.0	10	3.6	3.2
GTB-12	22-10	35A	600V	M3.5 X 7	5.54	0.94	0.75	0.48	0.15	0.15
					140.7	23.8	19.0	12.2	3.8	3.9
GTB-14	20-8	50A	600V	M4.0 x 9	6.22	1.01	1.0	0.53	0.17	0.19
					158.0	25.6	25.2	13.5	4.3	4.8

**Maximum Electrical Current:**

22-16 A.W.G.: 19 amperes  
 16-14 A.W.G.: 27 amperes  
 12-10 A.W.G.: 48 amperes



**Maximum Electrical Rating:**

75 °C (167 °F)  
 600 volts

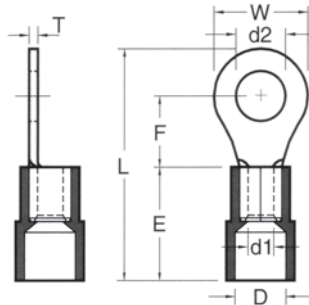
**Insulation Material:** Vinyl

**Terminal Material:** Copper (tin-plated)

WIRE RANGE A.W.G.	PART NUMBER	STUD SIZE		DIMENSIONS (inches/mm)							BULK QTY
		d2	W	F	L	E	D	d1	T		
22-16	GR-R6V	#6	0.146 3.7	0.216 5.5	0.197 5.0	0.689 17.5	0.394 10.0	0.157 4.0	0.067 1.7	0.030 0.75	1000
	GR-R8V	#8	0.169 4.3	0.315 8.0	0.276 7.0	0.819 20.8					1000
	GR-R10V	#10	0.209 5.3	0.315 8.0	0.276 7.0	0.819 20.8					1000
	GR-R14V	1/4"	0.252 6.4	0.457 11.6	0.433 11.0	1.055 26.8					1000
16-14	GR-B6V	#6	0.146 3.7	0.260 6.6	0.189 4.8	0.701 17.8	0.394 10.0	0.177 4.5	0.091 2.3	0.031 0.8	1000
	GR-B8V	#8	0.169 4.3	0.335 8.5	0.307 7.8	0.858 21.8					1000
	GR-B10V	#10	0.209 5.3	0.374 9.5	0.287 7.3	0.858 21.8					1000
	GR-B14V	1/4"	0.252 6.4	0.472 12.0	0.433 11.0	1.055 26.8					1000
	GR-B516V	5/16"	0.331 8.4	0.472 12.0	0.433 11.0	1.055 26.8					1000
	GR-B38V	3/8"	0.413 10.5	0.535 13.6	0.547 13.9	1.201 30.5					1000
12-10	GR-Y6V	#6	0.146 3.7	0.283 7.2	0.240 6.1	0.894 22.7	0.512 13.0	0.248 6.3	0.134 3.4	0.039 1.0	1000
	GR-Y8V	#8	0.169 4.3	0.374 9.5	0.358 9.1	1.047 26.6					1000
	GR-Y10V	#10	0.209 5.3	0.374 9.5	0.358 9.1	1.047 26.6					1000
	GR-Y14V	1/4"	0.252 6.4	0.472 12.0	0.413 10.5	1.167 29.5					1000
	GR-Y516V	5/16"	0.331 8.4	0.591 15.0	0.531 13.5	1.339 34.0					1000
	GR-Y38V	3/8"	0.413 10.5	0.591 15.0	0.531 13.5	1.339 34.0					1000
	GR-Y12V	1/2"	0.512 13.0	0.756 19.2	0.756 19.2	1.520 38.6					1000

**Maximum Electrical Current:**

22-16 A.W.G.: 19 amperes  
 16-14 A.W.G.: 27 amperes  
 12-10 A.W.G.: 48 amperes



**Maximum Electrical Rating:**

105 °C (221 °F)  
 600 volts

**Insulation Material:** Nylon

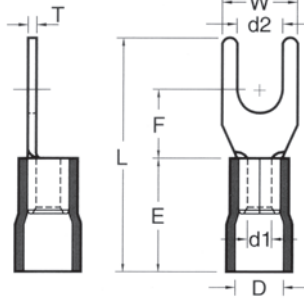
**Terminal Material:** Copper (tin-plated)

WIRE RANGE A.W.G.	PART NUMBER	STUD SIZE		DIMENSIONS (inches/mm)							BULK QTY
		d2	W	F	L	E	D	d1	T		
22-16	GR-R6N	#6	0.146 3.7	0.216 5.5	0.197 5.0	0.728 18.5	0.433 11.0	0.157 4.0	0.067 1.7	0.030 0.75	1000
	GR-R8N	#8	0.169 4.3	0.315 8.0	0.276 7.0	0.858 21.8					1000
	GR-R10N	#10	0.209 5.3	0.315 8.0	0.276 7.0	0.858 21.8					1000
	GR-R14N	1/4"	0.252 6.4	0.457 11.6	0.433 11.0	1.094 27.8					1000
16-14	GR-B6N	#6	0.146 3.7	0.260 6.6	0.189 4.8	0.740 18.8	0.433 11.0	0.177 4.5	0.091 2.3	0.031 0.8	1000
	GR-B8N	#8	0.169 4.3	0.335 8.5	0.307 7.8	0.898 22.8					1000
	GR-B10N	#10	0.209 5.3	0.374 9.5	0.287 7.3	0.898 22.8					1000
	GR-B14N	1/4"	0.252 6.4	0.472 12.0	0.433 11.0	1.094 27.8					1000
	GR-B516N	5/16"	0.331 8.4	0.472 12.0	0.433 11.0	1.094 27.8					1000
	GR-B38N	3/8"	0.413 10.5	0.535 13.6	0.547 13.9	1.240 31.5					1000
12-10	GR-Y8N	#8	0.169 4.3	0.374 9.5	0.358 9.1	1.047 26.6	0.512 13.0	0.252 6.4	0.134 3.4	0.039 1.0	1000
	GR-Y10N	#10	0.209 5.3	0.374 9.5	0.358 9.1	1.047 26.6					1000
	GR-Y14N	1/4"	0.252 6.4	0.472 12.0	0.413 10.5	1.167 29.5					1000
	GR-Y516N	5/16"	0.331 8.4	0.591 15.0	0.531 13.5	1.339 34.0					1000
	GR-Y38N	3/8"	0.413 10.5	0.591 15.0	0.531 13.5	1.339 34.0					1000
	GR-Y12N	1/2"	0.512 13.0	0.756 19.2	0.756 19.2	1.520 38.6					1000



**Maximum Electrical Current:**

22-16 A.W.G.: 19 amperes  
 16-14 A.W.G.: 27 amperes  
 12-10 A.W.G.: 48 amperes



**Maximum Electrical Rating:**

75 °C (167 °F)  
 600 volts

**Insulation Material:** Vinyl

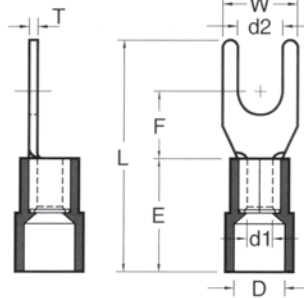
**Terminal Material:** Copper (tin-plated)

WIRE RANGE A.W.G.	PART NUMBER	STUD SIZE	DIMENSIONS (inches/mm)								BULK QTY
			d2	W	F	L	E	D	d1	T	
22-16	GS-R6V	#6	0.146 3.7	0.252 6.4	0.256 6.5	0.827 21.0	0.394 10.0	0.157 4.0	0.067 1.7	0.030 0.75	1000
	GS-R8V	#8	0.169 4.3	0.283 7.2	0.256 6.5	0.827 21.0					1000
	GS-R10V	#10	0.209 5.3	0.374 9.5	0.256 6.5	0.827 21.0					1000
16-14	GS-B6V	#6	0.146 3.7	0.236 6.0	0.256 6.5	0.827 21.0	0.394 10.0	0.177 4.5	0.091 2.3	0.031 0.8	1000
	GS-B8V	#8	0.169 4.3	0.283 7.2	0.256 6.5	0.827 21.0					1000
	GS-B10V	#10	0.209 5.3	0.366 9.3	0.256 6.5	0.827 21.0					1000
12-10	GS-Y8V	#8	0.169 4.3	0.354 9.0	0.276 7.0	1.004 25.5	0.512 13.0	0.248 6.3	0.134 3.4	0.039 1.0	1000
	GS-Y10V	#10	0.209 5.3	0.354 9.0	0.276 7.0	1.004 25.5					1000



**Maximum Electrical Current:**

22-16 A.W.G.: 19 amperes  
 16-14 A.W.G.: 27 amperes  
 12-10 A.W.G.: 48 amperes



**Maximum Electrical Rating:**

105 °C (221 °F)  
 600 volts

**Insulation Material:** Nylon

**Terminal Material:** Copper (tin-plated)

WIRE RANGE A.W.G.	PART NUMBER	STUD SIZE	DIMENSIONS (inches/mm)								BULK QTY
			d2	W	F	L	E	D	d1	T	
22-16	GS-R6N	#6	0.146 3.7	0.252 6.4	0.256 6.5	0.866 22.0	0.433 11.0	0.157 4.0	0.067 1.7	0.030 0.75	1000
	GS-R8N	#8	0.169 4.3	0.283 7.2	0.256 6.5	0.866 22.0					1000
	GS-R10N	#10	0.209 5.3	0.374 9.5	0.256 6.5	0.866 22.0					1000
16-14	GS-B6N	#6	0.146 3.7	0.236 6.0	0.256 6.5	0.866 22.0	0.433 11.0	0.177 4.5	0.091 2.3	0.031 0.8	1000
	GS-B8N	#8	0.169 4.3	0.283 7.2	0.256 6.5	0.866 22.0					1000
	GS-B10N	#10	0.209 5.3	0.366 9.3	0.256 6.5	0.866 22.0					1000
12-10	GS-Y8N	#8	0.169 4.3	0.354 9.0	0.276 7.0	1.004 25.5	0.512 13.0	0.248 6.3	0.134 3.4	0.039 1.0	1000
	GS-Y10N	#10	0.209 5.3	0.354 9.0	0.276 7.0	1.004 25.5					1000

**CRIMPING TOOLS**



**GCT-2001 | CRIMPING TOOL**

An affordable 4-way crimping and stripping tool designed for use with 22-10 AWG crimp terminals and connectors. The GCT-2001 features color coded crimping pliers, AWG-numbered wire insulation strippers, and integrated wire cutter. This tool can be used with all Greenlite crimp products. Total length: 8".

**GMST-07 | PLIER**

A high quality crimping plier designed specifically for use with UR, UY, and UB telecom connectors (see page 27). The GMST-07 features parallel crimping action at point of contact for the most secure crimp for telecom connectors. May also be used for crimping our entire line of crimp terminals and connectors. Total length: 5 1/2"

## SNAP SPADES (LOCKING)

**GS1** | SERIES

**Maximum Electrical Current:**

22-16 A.W.G.: 19 amperes

16-14 A.W.G.: 27 amperes

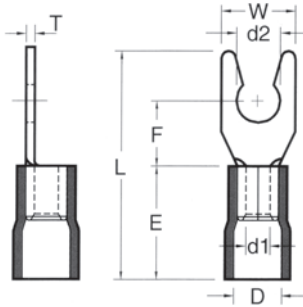
**Maximum Electrical Rating:**

75 °C (167 °F)

600 volts

**Insulation Material:** Vinyl

**Terminal Material:** Copper (tin-plated)



WIRE RANGE A.W.G.	PART NUMBER	STUD SIZE	DIMENSIONS (inches/mm)								BULK QTY
			d2	W	F	L	E	D	d1	T	
22-16	GS1-R6V	#6	0.146 3.7	0.252 6.4	0.256 6.5	0.827 21.0	0.394 10.0	0.157 4.0	0.067 1.7	0.030 0.75	1000
	GS1-R8V	#8	0.169 4.3	0.283 7.2	0.256 6.5	0.827 21.0					1000
	GS1-R10V	#10	0.209 5.3	0.374 9.5	0.256 6.5	0.827 21.0					1000
16-14	GS1-B6V	#6	0.146 3.7	0.236 6.0	0.256 6.5	0.827 21.0	0.394 10.0	0.177 4.5	0.091 2.3	0.031 0.8	1000
	GS1-B8V	#8	0.169 4.3	0.283 7.2	0.256 6.5	0.827 21.0					1000
	GS1-B10V	#10	0.209 5.3	0.366 9.3	0.256 6.5	0.827 21.0					1000

## BLOCK SPADES (FLANGED)

**GS2** | SERIES

**Maximum Electrical Current:**

22-16 A.W.G.: 19 amperes

16-14 A.W.G.: 27 amperes

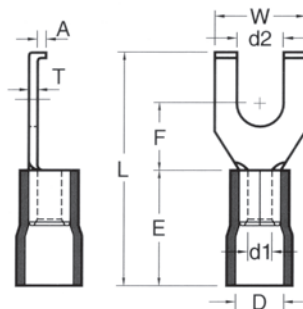
**Maximum Electrical Rating:**

75 °C (167 °F)

600 volts

**Insulation Material:** Vinyl

**Terminal Material:** Copper (tin-plated)



WIRE RANGE A.W.G.	PART NUMBER	STUD SIZE	DIMENSIONS (inches/mm)								BULK QTY
			d2	W	F	L	E	D	d1	T	
22-16	GS2-R6V	#6	0.146 3.7	0.252 6.4	0.256 6.5	0.827 21.0	0.394 10.0	0.157 4.0	0.067 1.7	0.030 0.75	1000
	GS2-R8V	#8	0.169 4.3	0.283 7.2	0.256 6.5	0.827 21.0					1000
16-14	GS2-B6V	#6	0.146 3.7	0.236 6.0	0.256 6.5	0.827 21.0	0.394 10.0	0.177 4.5	0.091 2.3	0.031 0.8	1000
	GS2-B8V	#8	0.169 4.3	0.283 7.2	0.256 6.5	0.827 21.0					1000
	GS2-B10V	#10	0.209 5.3	0.366 9.3	0.256 6.5	0.827 21.0					1000

**GREENLITE**

# HOOKS

**GH** | SERIES

**Maximum Electrical Current:**

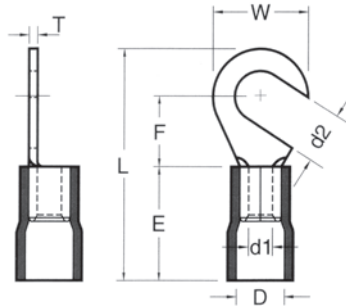
- 22-16 A.W.G.: 19 amperes
- 16-14 A.W.G.: 27 amperes
- 12-10 A.W.G.: 48 amperes

**Maximum Electrical Rating:**

- 75 °C (167 °F)
- 600 volts

**Insulation Material:** Vinyl

**Terminal Material:** Copper (tin-plated)



WIRE RANGE A.W.G.	PART NUMBER	STUD SIZE	DIMENSIONS (inches/mm)								BULK QTY
			d2	W	F	L	E	D	d1	T	
22-16	GH-R6V	#6	0.146 3.7	0.315 8.0	0.276 7.0	0.819 20.8	0.394 10.0	0.157 4.0	0.067 1.7	0.030 0.75	1000
	GH-R8V	#8	0.169 4.3	0.315 8.0	0.276 7.0	0.819 20.8	0.394 10.0	0.157 4.0	0.067 1.7	0.030 0.75	1000
16-14	GH-B6V	#6	0.146 3.7	0.335 8.5	0.307 7.8	0.858 21.8	0.394 1.0	0.177 4.5	0.091 2.3	0.031 0.8	1000
	GH-B8V	#8	0.169 4.3	0.335 8.5	0.307 7.8	0.858 21.8	0.394 1.0	0.177 4.5	0.091 2.3	0.031 0.8	1000
	GH-B10V	#10	0.209 5.3	0.374 9.5	0.287 7.3	0.858 21.8	0.394 1.0	0.177 4.5	0.091 2.3	0.031 0.8	1000
12-10	GH-Y10V	#10	0.209 5.3	0.374 9.5	0.374 9.5	1.055 26.8	0.512 13.0	0.248 6.3	0.134 3.4	0.039 1.0	1000

# QUICK-SPLICE DISCONNECTORS

**GQS** | SERIES

**Maximum Electrical Current:**

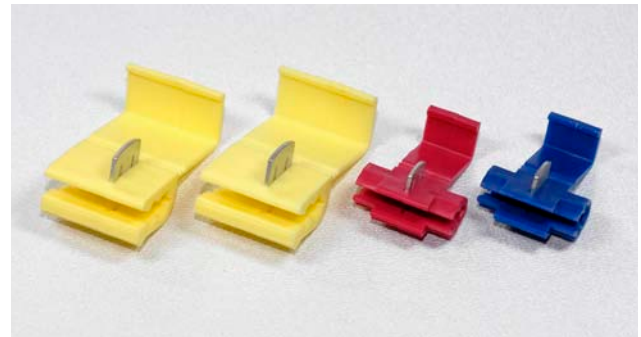
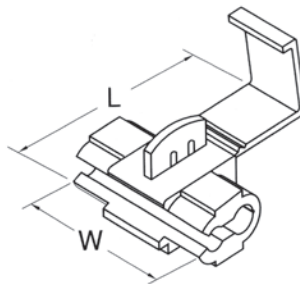
- 22-16 A.W.G.: 10 amperes
- 18-14 A.W.G.: 15 amperes
- 12-10 A.W.G.: 24 amperes

**Maximum Electrical Rating:**

- 105 °C (221 °F)
- 600 volts

**Insulation Material:** Polypropylene

**Terminal Material:** Brass (tin-plated)



WIRE RANGE A.W.G.	PART NUMBER	DIMENSIONS (inches/mm)		ELECTRICAL SPECIFICATIONS			BULK QTY
		W	L	MATERIALS	MAX AMPS & VOLTS	MAX TEMP	
22-18	GQS-R6V	0.787 20.0	1.063 27.0	POLYPROPYLENE INSULATED	10 amperes 600 volts	105 °C (221 °F)	500
18-14	GQS-B6V	0.787 20.0	1.063 27.0		15 amperes 600 volts	105 °C (221 °F)	500
12-10	GQS-Y6V	0.807 20.5	1.358 34.5	BRASS CONDUCTOR	24 amperes 600 volts	105 °C (221 °F)	200
12-10 run + 18-14 tap	GQS-Y10V	0.807 20.5	1.358 34.5		24 amperes 600 volts	105 °C (221 °F)	200

## QUICK-SLIDES

## GQF | FEMALE SERIES

**Maximum Electrical Current:**

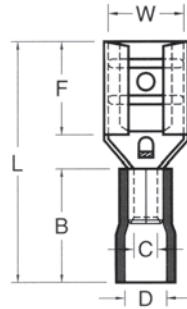
22-16 A.W.G.: 10 amperes  
 16-14 A.W.G.: 15 amperes  
 12-10 A.W.G.: 24 amperes

**Maximum Electrical Rating:**

75 °C (167 °F)  
 300 volts

**Insulation Material:** Vinyl

**Terminal Material:** Brass (tin-plated)



WIRE RANGE A.W.G.	PART NUMBER	NEMA TAB SIZE	DIMENSIONS (inches/mm)						BULK QTY
			W	F	L	B	D	C	
22-16	GQF-R11V	0.110 x 0.020 (2.8 x 0.5)	0.126 3.2	0.256 6.5	0.732 18.6	0.394 10.0	0.157 4.0	0.067 1.7	1000
	GQF-R187V	0.187 x 0.020 (4.75 x 0.5)	0.197 5.0	0.252 6.4	0.748 19.0	0.394 10.0	0.157 4.0	0.067 1.7	1000
	GQF-R25V	0.250 x 0.032 (6.35 x 0.8)	0.260 6.6	0.287 7.3	0.807 20.5	0.394 10.0	0.157 4.0	0.067 1.7	1000
16-14	GQF-B11V	0.110 x 0.020 (2.8 x 0.5)	0.126 3.2	0.256 6.5	0.732 18.6	0.394 10.0	0.177 4.5	0.091 2.3	1000
	GQF-B187V	0.187 x 0.020 (4.75 x 0.5)	0.197 5.0	0.252 6.4	0.748 19.0	0.394 10.0	0.177 4.5	0.091 2.3	1000
	GQF-B25V	0.250 x 0.032 (6.35 x 0.8)	0.260 6.6	0.287 7.3	0.807 20.5	0.394 10.0	0.177 4.5	0.091 2.3	1000
12-10	GQF-Y25V	0.250 x 0.032 (6.35 x 0.8)	0.260 6.6	0.287 7.3	0.925 23.5	0.512 13.0	0.217 5.5	0.134 3.4	1000

## QUICK-SLIDES

## GQM | MALE SERIES

**Maximum Electrical Current:**

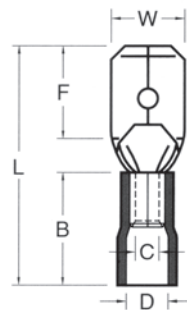
22-16 A.W.G.: 10 amperes  
 16-14 A.W.G.: 15 amperes  
 12-10 A.W.G.: 24 amperes

**Maximum Electrical Rating:**

75 °C (167 °F)  
 300 volts

**Insulation Material:** Vinyl

**Terminal Material:** Brass (tin-plated)



WIRE RANGE A.W.G.	PART NUMBER	NEMA TAB SIZE	DIMENSIONS (inches/mm)						BULK QTY
			W	F	L	B	D	C	
22-16	GQM-R187V	0.187 x 0.020 (4.75 x 0.5)	0.189 4.8	0.256 6.5	0.748 19.0	0.394 10.0	0.157 4.0	0.067 1.7	1000
	GQM-R25V	0.250 x 0.032 (6.35 x 0.8)	0.250 6.35	0.303 7.7	0.827 21.0	0.394 10.0	0.157 4.0	0.067 1.7	1000
16-14	GQM-B187V	0.187 x 0.020 (4.75 x 0.5)	0.189 4.8	0.256 6.5	0.748 19.0	0.394 10.0	0.177 4.5	0.091 2.3	1000
	GQM-B25V	0.250 x 0.032 (6.35 x 0.8)	0.250 6.35	0.303 7.7	0.827 21.0	0.394 10.0	0.177 4.5	0.091 2.3	1000
12-10	GQM-Y25V	0.250 x 0.032 (6.35 x 0.8)	0.250 6.35	0.303 7.7	0.945 24.0	0.512 13.0	0.217 5.5	0.134 3.4	1000

## FULLY INSULATED QUICK-SLIDES

## GFQF | FEMALE SERIES

**Maximum Electrical Current:**

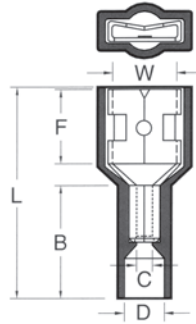
22-16 A.W.G.: 10 amperes  
 16-14 A.W.G.: 15 amperes  
 12-10 A.W.G.: 24 amperes

**Maximum Electrical Rating:**

105 °C (221 °F)  
 300 volts

**Insulation Material:** Nylon

**Terminal Material:** Brass (tin-plated)



WIRE RANGE A.W.G.	PART NUMBER	NEMA TAB SIZE	DIMENSIONS (inches/mm)						BULK QTY
			W	F	L	B	D	C	
22-16	GFQF-R25N	0.250 x 0.032 (6.35 x 0.8)	0.260 6.6	0.287 7.3	0.866 22.0	0.433 11.0	0.157 4.0	0.067 1.7	1000
16-14	GFQF-B25N	0.250 x 0.032 (6.35 x 0.8)	0.260 6.6	0.287 7.3	0.866 22.0	0.433 11.0	0.177 4.5	0.091 2.3	1000
12-10	GFQF-Y25N	0.250 x 0.032 (6.35 x 0.8)	0.260 6.6	0.287 7.3	0.945 24.0	0.512 13.0	0.248 6.3	0.134 3.4	1000

## FULLY INSULATED QUICK-SLIDES

## GFQM | MALE SERIES

**Maximum Electrical Current:**

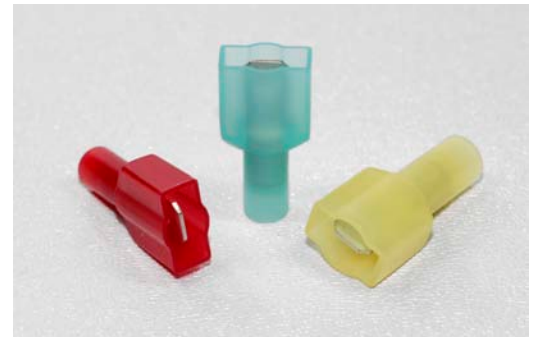
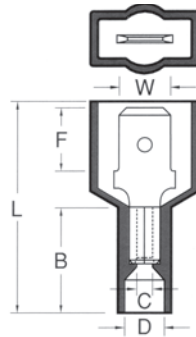
22-16 A.W.G.: 10 amperes  
 16-14 A.W.G.: 15 amperes  
 12-10 A.W.G.: 24 amperes

**Maximum Electrical Rating:**

105 °C (221 °F)  
 300 volts

**Insulation Material:** Nylon

**Terminal Material:** Brass (tin-plated)



WIRE RANGE A.W.G.	PART NUMBER	NEMA TAB SIZE	DIMENSIONS (inches/mm)						BULK QTY
			W	F	L	B	D	C	
22-16	GFQM-R25N	0.250 x 0.032 (6.35 x 0.8)	0.250 6.35	0.303 7.7	0.906 23.0	0.433 11.0	0.157 4.0	0.067 1.7	1000
16-14	GFQM-B25N	0.250 x 0.032 (6.35 x 0.8)	0.250 6.35	0.303 7.7	0.945 24.0	0.433 11.0	0.177 4.5	0.091 2.3	1000
12-10	GFQM-Y25N	0.250 x 0.032 (6.35 x 0.8)	0.250 6.35	0.303 7.7	0.984 25.0	0.512 13.0	0.248 6.3	0.134 3.4	1000

## PIGGY-BACKS

GPB SERIES

**Maximum Electrical Current:**

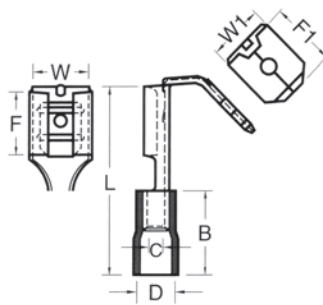
22-16 A.W.G.: 10 amperes  
 16-14 A.W.G.: 15 amperes  
 12-10 A.W.G.: 24 amperes

**Maximum Electrical Rating:**

75 °C (167 °F)  
 300 volts

**Insulation Material:** Vinyl

**Terminal Material:** Brass (tin-plated)



WIRE RANGE A.W.G.	PART NUMBER	NEMA TAB SIZES	DIMENSIONS (inches/mm)						BULK QTY
			W	F	L	B	D	C	
22-16	GPB-R25V	0.250 x 0.032 (6.35 x 0.8)	0.260 6.6	0.315 8.0	0.866 22.0	0.394 10.0	0.157 4.0	0.067 1.7	1000
16-14	GPB-B25V	0.250 x 0.032 (6.35 x 0.8)	0.260 6.6	0.315 8.0	0.866 22.0	0.394 10.0	0.177 4.5	0.091 2.3	1000

## FLAGS

GFF SERIES

**Maximum Electrical Current:**

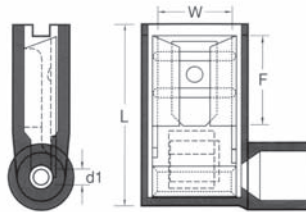
22-16 A.W.G.: 10 amperes  
 16-14 A.W.G.: 15 amperes  
 12-10 A.W.G.: 24 amperes

**Maximum Electrical Rating:**

105 °C (221 °F)  
 300 volts

**Insulation Material:** Nylon

**Terminal Material:** Brass (tin-plated)



WIRE RANGE A.W.G.	PART NUMBER	NEMA TAB SIZE	DIMENSIONS (inches/mm)					BULK QTY
			W	F	L	d1	T	
22-16	GFF-R25N	0.250 x 0.032 (6.35 x 0.8)	0.260 6.6	0.299 7.6	0.630 16.0	0.067 1.7	0.016 0.4	1000
16-14	GFF-B25N	0.250 x 0.032 (6.35 x 0.8)	0.260 6.6	0.299 7.6	0.630 16.0	0.091 2.3	0.016 0.4	1000

## BULLETS

## GBF | FEMALE SERIES

**Maximum Electrical Current:**

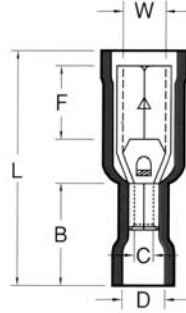
22-16 A.W.G.: 10 amperes  
 16-14 A.W.G.: 15 amperes  
 12-10 A.W.G.: 24 amperes

**Maximum Electrical Rating:**

75 °C (167 °F)  
 300 volts

**Insulation Material:** Vinyl

**Terminal Material:** Brass (tin-plated)



WIRE RANGE A.W.G.	PART NUMBER	BULLET DIAMETER	DIMENSIONS (inches/mm)						BULK QTY
			W	F	L	B	D	C	
22-16	GBF-R156V	0.156"	0.153 3.9	0.287 7.3	0.846 21.5	0.394 10.0	0.157 4.0	0.067 1.7	1000
16-14	GBF-B156V	0.156"	0.153 3.9	0.287 7.3	0.846 21.5	0.394 10.0	0.197 4.5	0.091 2.3	1000
	GBF-B195V	0.195"	0.193 4.9	0.276 7.0	0.846 21.5	0.394 10.0	0.197 4.5	0.134 3.4	1000

## BULLETS

## GBM | MALE SERIES

**Maximum Electrical Current:**

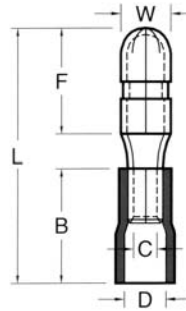
22-16 A.W.G.: 10 amperes  
 16-14 A.W.G.: 15 amperes  
 12-10 A.W.G.: 24 amperes

**Maximum Electrical Rating:**

75 °C (167 °F)  
 300 volts

**Insulation Material:** Vinyl

**Terminal Material:** Brass (tin-plated)



WIRE RANGE A.W.G.	PART NUMBER	BULLET DIAMETER	DIMENSIONS (inches/mm)						BULK QTY
			W	F	L	B	D	C	
22-16	GBM-R156V	0.156"	0.157 4.0	0.335 8.5	0.827 21.0	0.394 10.0	0.157 4.0	0.067 1.7	1000
16-14	GBM-B156V	0.156"	0.157 4.0	0.335 8.5	0.827 21.0	0.394 10.0	0.177 4.5	0.091 2.3	1000
	GBM-B195V	0.195"	0.197 5.0	0.335 8.5	0.827 21.0	0.394 10.0	0.177 4.5	0.134 3.4	1000

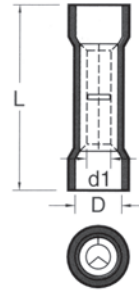


## BUTT SPLICE CONNECTORS

GB | VINYL SERIES

**Maximum Electrical Current:**

- 22-16 A.W.G.: 10 amperes
- 16-14 A.W.G.: 15 amperes
- 12-10 A.W.G.: 24 amperes



**Maximum Electrical Rating:**

- 75 °C (167 °F)
- 300 volts

**Insulation Material:** Vinyl

**Terminal Material:** Brass (tin-plated)

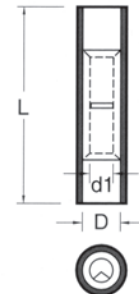
WIRE RANGE A.W.G.	PART NUMBER	DIMENSIONS (inches/mm)			ELECTRICAL SPECIFICATIONS			BULK QTY
		L	D	d1	MATERIALS	MAX AMPS & VOLTS	MAX TEMP	
22-18	GB-R6V	0.953 24.2	0.157 4.0	0.067 1.7	VINYL INSULATED	10 amperes 300 volts	75 °C (167 °F)	1000
16-14	GB-B6V	0.953 24.2	0.177 4.5	0.091 2.3		BRASS PLATE	15 amperes 300 volts	75 °C (167 °F)
12-10	GB-Y6V	1.024 26.0	0.248 6.3	0.134 3.4			24 amperes 300 volts	75 °C (167 °F)

## BUTT SPLICE CONNECTORS

GB | NYLON SERIES

**Maximum Electrical Current:**

- 22-16 A.W.G.: 19 amperes
- 16-14 A.W.G.: 27 amperes
- 12-10 A.W.G.: 48 amperes



**Maximum Electrical Rating:**

- 105 °C (221 °F)
- 600 volts

**Insulation Material:** Nylon

**Terminal Material:** Copper (tin-plated)

WIRE RANGE A.W.G.	PART NUMBER	DIMENSIONS (inches/mm)			ELECTRICAL SPECIFICATIONS			BULK QTY
		L	D	d1	MATERIALS	MAX AMPS & VOLTS	MAX TEMP	
22-18	GB-R6N	1.075 27.3	0.126 3.2	0.067 1.7	NYLON INSULATED	19 amperes 600 volts	105 °C (221 °F)	1000
16-14	GB-B6N	1.075 27.3	0.150 3.8	0.091 2.3		COPPER PLATE	27 amperes 600 volts	105 °C (221 °F)
12-10	GB-Y6N	1.075 27.3	0.209 5.3	0.134 3.4			48 amperes 600 volts	105 °C (221 °F)

## TELECOM CONNECTORS

**U** | SERIES

### U Series Telecom Splicing Connectors feature:

- Silicone gel fill for improved conductance and insulation
- Easy one step crimping (via our GMST-07 crimping tool)
- Transparent housing for visual inspection of connections



PART NUMBER	DIMENSIONS	Maximum Insulation O.D.	CABLE TYPES ACCEPTED			QTY
			PIC unfilled	PIC filled	Pulp or Paper	
UY		1.52mm 0.060"	.7 - .4mm .028\"-.016"	.7 - .4mm .028\"-.016"	.7 - .4mm .028\"-.016"	100 pcs. per box
			22-26 A.W.G.	22-26 A.W.G.	22-26 A.W.G.	1000 pcs. per sleeve
UB		1.27mm 0.050"	.7 - .4mm .028\"-.016"	.5 - .4mm .020\"-.016"	.7 - .4mm .028\"-.016"	100 pcs. per box
			22-26 A.W.G.	24-26 A.W.G.*	22-26 A.W.G.	1000 pcs. per sleeve
UR		1.67mm 0.066"	.9 - .4mm .035\"-.016"	.9 - .4mm .035\"-.016"	.9 - .4mm .035\"-.016"	100 pcs. per box
			19-26 A.W.G.	19-26 A.W.G.**	19-26 A.W.G.	1000 pcs. per sleeve

\* NOTE: Can also be used on 22 A.W.G. Foam Insulated Cable.

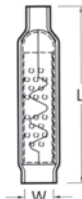
\*\* NOTE: Can also be used on 19 A.W.G. Foam Insulated Cable.

## TELECOM CONNECTORS

**B** | SERIES

### B Series Telecom Splicing Connectors feature:

- Insulation-piercing internal teeth
- Soft brass crimp and connector
- Durable protective outer shell



PART NUMBER	DIMENSIONS (inches/mm)		SILICONE FILL	CONNECTOR MATERIAL	PACKAGING	
	W	L			STD.	BULK
BW2	0.157 4.0	0.984 25.0	NO	BRASS	100	1000
BB2	0.157 4.0	1.024 26.0	YES	BRASS	100	1000

## TEFLON TAPE

**PTFE** | SERIES



PART NUMBER	LENGTH Inches	WIDTH Inches	THICKNESS Inches	MIL-SPEC	PACKAGING	
					STD.	BULK
PTFE-260	260"	1/2"	0.0035"	MIL-T-27730A	200	1200
PTFE-520	520"	1/2"	0.0035"	MIL-T-27730A	200	1200